



PACKAGING SOLUTIONS THAT MEAN BUSINESS

GREAT LAKES MODEL TS37

SIDE SEAL HORIZONTAL SHRINK WRAPPER



GREAT LAKES TS37



The GREAT LAKES TS37 side seal horizontal wrapper is one of the most versatile packaging machines on the market today. Capable of wrapping up to 80 packages per minute, the continuous motion TS37 eliminates the need for multiple forming heads with its adjustable film inverter.

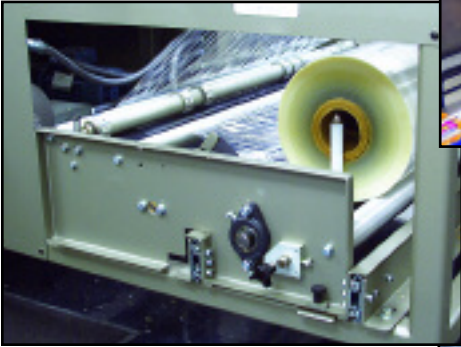
Unlike conventional film inverters, the TS37 film path ensures equal transfer of grouped products onto the film without skewing the product configuration. This is ideal for multi-packs and irregular shaped products. The machine features an electronically adjustable pouch length, which enables "on-the-fly" bag length changes without changing the flight spacing. All adjustments are made with a user-friendly color touchscreen where product changeovers can be completed quickly and easily - without tools.

The TS37 uses single wound film which is less costly than centerfold. A unique side sealing mechanism ensures strong attractive trim seals using polyolefin, PVC or polyethylene shrink film. The TS37's cross-seal system uses a hot knife seal and cut-off, with a precision temperature control that maintains accurate heat setting. An independently driven scrap removal system compacts excess film.

A sliding film rack allows easy roll loading and reduces film change over time. Located beneath the film forming table, the film rack requires no additional floor space.

Compact in design, the TS37 is easily integrated into any existing production environment.





Slide Out Film Rack with Needle Hole Punch System



Horizontal Sealing System



Vertical Sealing System

APPLICATIONS

The TS37's unique side seal process keeps package graphics distortion-free with neatly formed trim seals extremely close to the product.

TS37 is perfect for artwork, mailers, compact discs and low-profile stacks of paper products such as napkins and greeting cards. This flexible system is also ideal for tall products such as bottles when utilizing the vertical sealing system.

- CD ROMS
- Mailers
- Cosmetics
- Games
- Spray cans
- Video tapes
- Food products
- Pharmaceutical
- Multi-packs
- Linens
- Paper products
- Toys
- Hardware
- Software
- Bottles



TS37 Wrapping Multi-packs of Salad Dressing



TS37 Wrapping Boxes of Macaroni



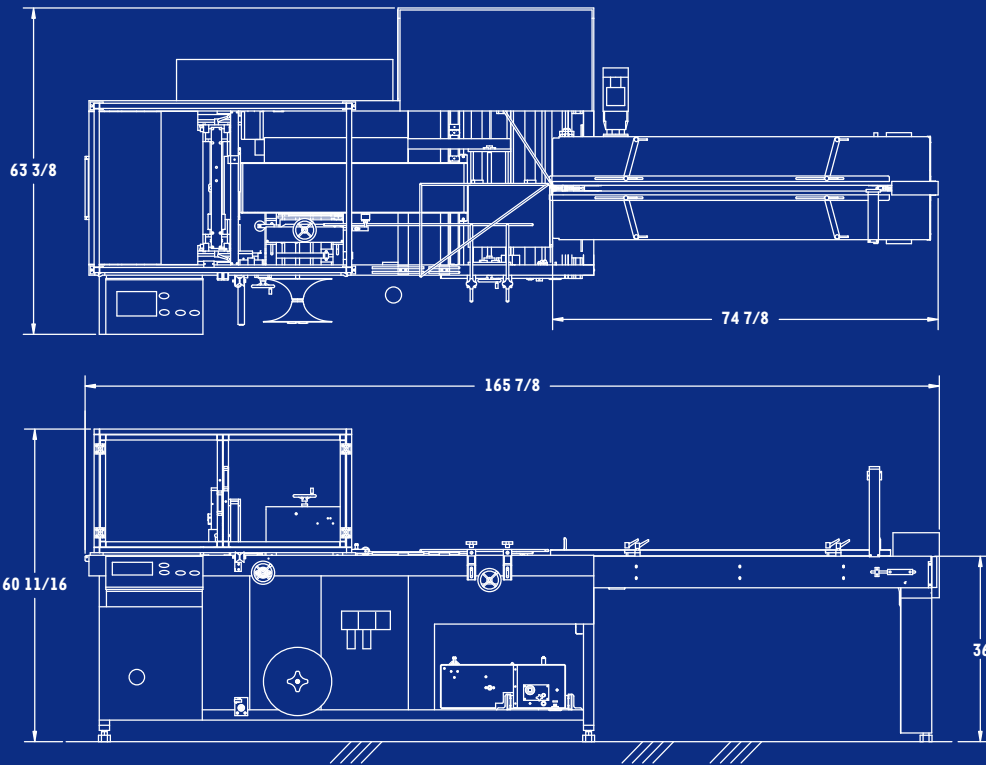
TS37 Wrapping Aerosol Cans



User Friendly Operator Controls

FEATURES

- Heavy-duty rugged construction for high durability
- Laser cut components for maximum precision
- Steel-It paint provides scratch resistant surfaces and prevents corrosion
- Allen-Bradley® programmable logic controller
- ARPAC's operator interface with color touchscreen, message display and self diagnostics
- Electrically interlocking guards and control box doors
- 6' flighted infeed with safety torque limiter
- Adjustable film inverting head
- Continuous motion seal head for smooth product transitions
- Slide out film rack with needle wheel evacuation assembly
- Horizontal / vertical cross seal control box
- Pneumatic hole punch system
- Missing product detection
- NEMA 12 main electrical cabinet and controls
- Rapid hand wheel changeover
- Evenly wound scrap removal system compacts excess film scraps
- Relaxed film tension at cross seal
- Central point lubrication simplifies preventive maintenance
- Low film alert warns that a film changeover will soon be necessary



SPECIFICATIONS

Speed

- Output speed: up to 80 packages per minute (based on product specs)
- Output speed: up to 90 linear feet per minute

Power Requirements

- Electrical: 230 volts, 3 PH, 22 amps
- Pneumatic: 5 SCFM, 80 PSI

Film

- Max. film width: 39" single wound
- Max. package height: 6" (12" with seal bar in vertical position)
- Max. package width: 16"
- Min. package length: 2"
- Max package length: infinite
- Max. film roll diameter: 12"

Note: Max package dimensions cannot occur together

OPTIONS

- Belted infeed
- Seal jaw bridge
- Extended flighted infeed
- Stainless steel construction
- 8" seal bar opening
- Low pressure roller infeed with automatic speed zone control
- Application specific infeeds
- Print registered film
- Easy open film perforation system
- 460 V / 3 PH / 15 A

